



www.globalcas.com

ALL IN ONE POS SCALE CL8000

Easy Maintenance | Easy Front Loading | Enhanced Printer | Integration S/W



CAS

ALL IN ONE POS SCALE CL8000

Easy Front Loading

- Adopting a full-scale opening and closing method provides ease of replacing labels.

Easy Maintenance

- Replace parts without removing the seal. (Except Scale parts)

Enhanced Printer

- True type font printing
- ZEBRA, EPSON protocol compatible

Integration S/W

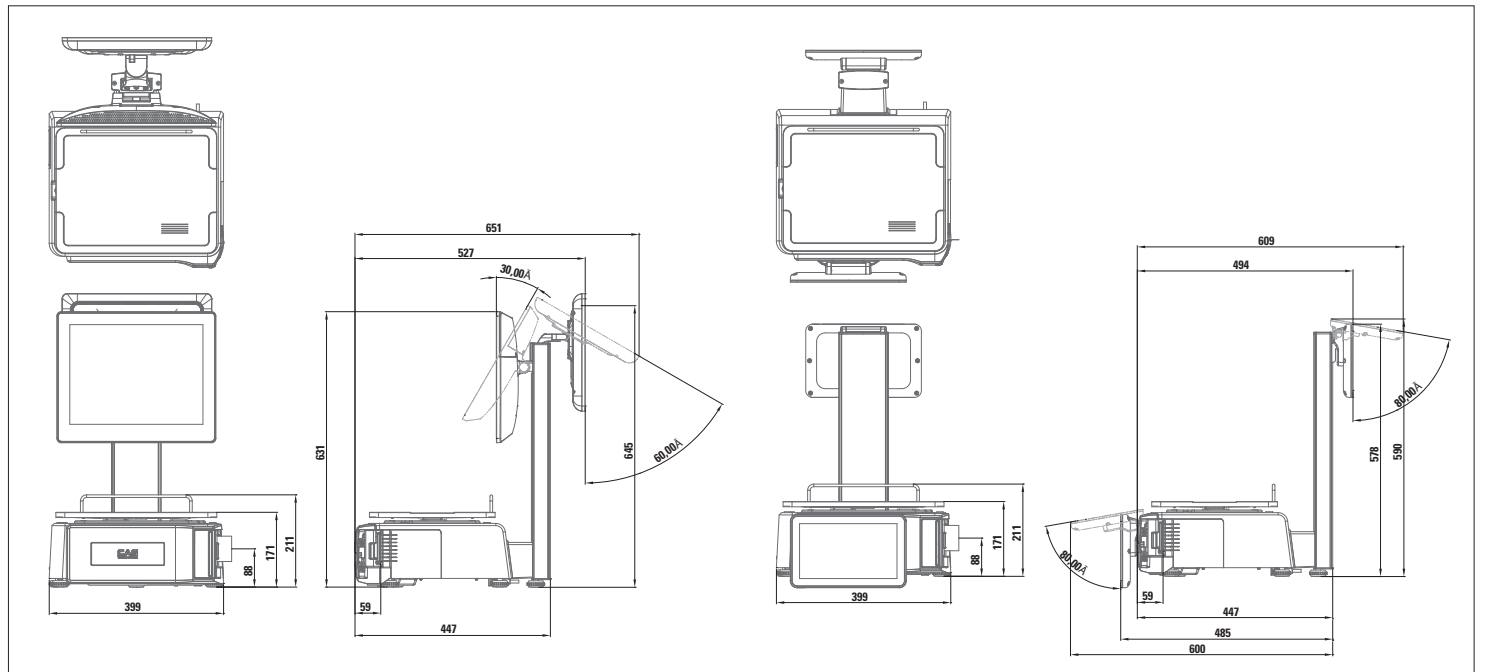
- Provide DLL, Demo Program



Specification

Model		PC-TYPE	BENCH-TYPE	USER DISPLAY-TYPE
Display	Size	Operator : 15" Customer : 9.7" / 11.6" / 15"	Operator : 10.1" Customer : 7"	Operator : 10.1" Customer : 10.1"
	Touch	Capacitive Touch Screen		
Hardware	CPU	Intel J1900 (2.42 GHz)		
	Memory	DDR3L 4GB		
	Storage	SSD 64GB		
Scale	Max. capacity	6, 15, 30 kg		
	Readability	1/2g, 2/5g, 5/10g		
	Resolution	1/3000		
	Platter size	368 mm x 288 mm		
Printer (Label/Ticket)	Print method	Direct Thermal		
	Resolution	200 DPI		
	Speed	150 mm/sec		
	Length	Length of Label : Max. 200 mm, Width of Printing : 56 mm, Width of Paper : 65 mm		
	Option	Linerless		
	Protocol	EPSON(Ticket), ZEBRA(Label) Compatible		
Power		SMPS (120W)		
Product weight (mm)		399(W) x 447(D) x 631(H)	399(W) x 450(D) x 211(H)	399(W) x 494(D) x 590(H)
Product size		16.0 kg	15.8 kg	16.0 kg

Dimension



Ver. 1.0_82400202



CAS Global Homepage

CAS CORPORATION
 CAS BLDG., 1315, YANGJAE-DAERO
 GANGDONG-GU, SEOUL, KOREA
 TEL_82 2 2225 3500 / FAX_82 2 475 4668

www.globalcas.com



* Specifications are subject to change without notice improvement.

