



HygroStick POL4750

Relative Humidity and Temperature Sensor for Protimeter Devices



Protimeter HygroStick POL4750 is an analog Relative Humidity (RH) and Temperature Sensor with a unique 8-pin interface for use with Protimeter devices. The HygroStick sensor is ideal for high RH testing with low drift and the ability to recover from dew point conditions. These sensor can be directly attached to the device or through Protimeter Extension Cable BLD5802.

Specifications

Accuracy %RH:

30% to 40% RH ($\pm 3\%$ RH) at 68°F (20°C)

41% to 98% RH ($\pm 2\%$) at 68°F (20°C)

Temperature Range:

32°F to 122°F (0°C to 50°C) $\pm 0.6^\circ\text{F}$ ($\pm 0.3^\circ\text{C}$)

Operating Environment:

Temperature – 0°C to 80°C

Humidity – 0 to 90% RH, non-condensing

Regulatory Compliance:

CE, RoHS, ETL

Probe Care

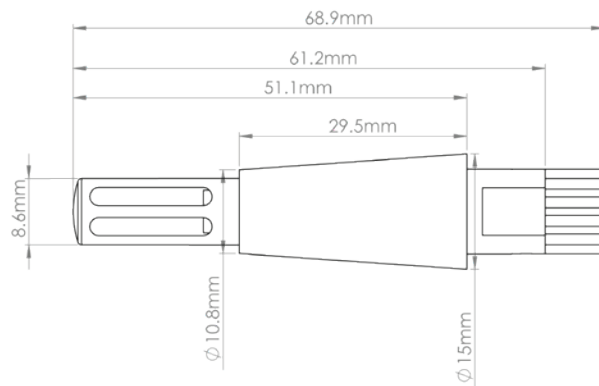
- Avoid placing the probe in liquids
- Always store in a dry, dust-free environment
- Avoid touching the measuring element
- Only use with recommended Protimeter devices

Use with:

BLD8800 – Protimeter MMS2

BLD7750 – HygroMaster2

Probe Dimensions



Amphenol
Advanced Sensors

www.protimeter.com

www.amphenol-sensors.com

© 2017 Amphenol Corporation. All Rights Reserved. Specifications are subject to change without notice. Other company names and product names used in this document are the registered trademarks or trademarks of their respective owners.

AAS-920-701A - 11/2017