

DiST 1

HI98301

TDS Tester



Accessories

Solutions

Code	Description
HI70032P	1382 ppm (mg/L) calibration solution, 20 mL sachets (25 pcs.)
HI7032M	1382 ppm (mg/L) calibration solution, 230 mL bottle
HI7032L	1382 ppm (mg/L) calibration solution, 500 mL bottle

Warranty

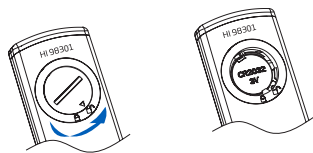
These meters are warranted for a period of one year against defects in workmanship and materials when used for their intended purpose and maintained according to instructions. Probes are warranted for a period of six months. This warranty is limited to repair or replacement free of charge. Damage due to accidents, misuse, tampering or lack of prescribed maintenance is not covered. If service is required, contact your local Hanna Instruments Office. If under warranty, report the model number, date of purchase, serial number and the nature of the problem. If the repair is not covered by the warranty, you will be notified of the charges incurred. If the instrument is to be returned to Hanna Instruments, first obtain a Returned Goods Authorization (RGA) number from the Technical Service department and then send it with shipping costs prepaid. When shipping any instrument, make sure it is properly packaged for complete protection.

Care and Maintenance

To obtain the highest accuracy for measurements it is important to follow these tips:

- Calibration is only as good as the solution being used. The calibration solution values change over time. Fresh solution should be used for each calibration.
- The probe should be rinsed with purified water each time before placing in calibration solution or sample to be tested.

Battery Replacement



The meter features a low battery indicator. When the battery is running low (under 10%), the battery indicator will blink on the LCD. When the battery is discharged "bAd bAt" will be displayed on the LCD for 2 seconds and the meter will turn off.

To change the CR2032 Li-ion battery, turn the battery cover located on the back of the meter counterclockwise to unlock. Remove cover and replace with new battery + side facing up.

Note: Batteries should only be replaced in a safe area using the battery type specified in this instruction manual. Old batteries should be disposed in accordance with local regulations.

Recommendations for Users

Before using Hanna Instruments products, make sure that they are entirely suitable for your specific application and for the environment in which they are used. Operation of these instruments may cause unacceptable interferences to other electronic equipment, thus requiring the operator to take all necessary steps to correct such interferences. Any variation introduced by the user to the supplied equipment may degrade the instrument's EMC performance. To avoid damages or burns, do not put the instrument in microwave oven. For yours and the instrument safety do not use or store the instrument in hazardous environments.

Measurement and Calibration

For better accuracy, frequent calibration of the meter is recommended. In addition, the instrument must be recalibrated:

- When high accuracy is required.
- At least once a month.

Measurement

Press the ON/OFF button to turn the meter ON. Place the probe to the desired solution. The conductivity value, automatically compensated for temperature, will be shown on the LCD.

The measured temperature will be shown on the secondary LCD.

Note: Before taking any measurement make sure the meter has been calibrated.

Calibration Procedure

- Press CAL button to enter calibration mode from measurement mode.
 - The meter will enter the calibration mode, displaying "ppm 1382 USE" with CAL tag blinking.
1. Pour 2" (5 cm) of standard solution into a container.
 2. Place the probe in calibration solution. The probe tip should be centered in the solution and submersed 1.18" (3 cm). The meter will automatically recognize the solution.
 3. If the solution is not recognized or is out of the accepted range "---- Err" is displayed.
 4. If the calibration solution is recognized "REC" is displayed until the reading is stable and the calibration is accepted.
- After acceptance, the "Stor" message is displayed and meter returns to measurement mode.

Clear Calibration

Place meter in calibration mode. Press ON/OFF and "Clr" is displayed. The meter will now be at default calibration.

Error messages

During user calibration, if the reading is out of the accepted range, the meter will display "---- Err".i.e. 2000 ppm blinking means the limit of the measured value is out of range.

If the measured temperature is higher than 50.0 °C or lower than 0.0 °C, the 50.0 °C or 0.0 °C temperature value will blink on the LCD in measure mode.

Thank You

Thank you for choosing a Hanna Instruments product. Please read this instruction manual carefully before using the instrument.

For more information about Hanna Instruments and our products, visit www.hannainst.com or e-mail us at sales@hannainst.com.

For technical support, contact your local Hanna Instruments Office or e-mail us at tech@hannainst.com

Find your local Hanna Instruments Office on www.hannainst.com

Preliminary Examination

Remove the meter from the packing material and examine it carefully to make sure that no damage has occurred during shipment. If noticeable damage is evident, contact your local Hanna Instruments Office.

Each meter is supplied with:

- CR2032 battery (1 pc.)
- Storage / Protection sleeve
- Instruction manual
- Quality Certificate
- 1382 ppm calibration solution sachet (4 pcs.)

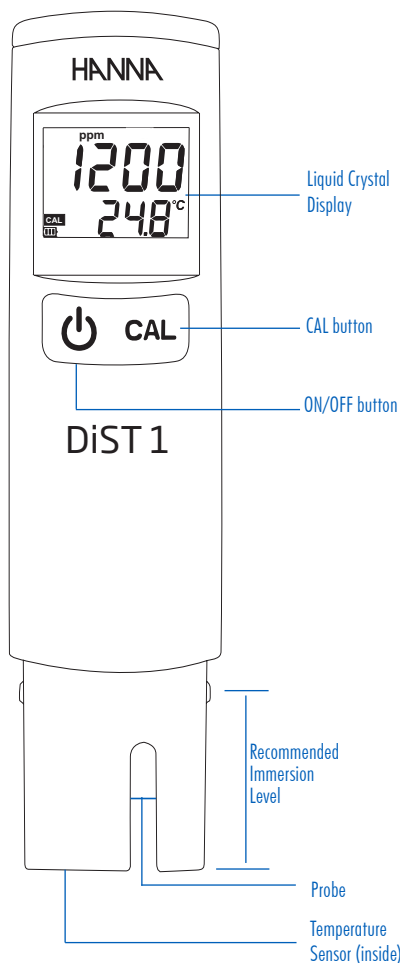
Note: Save all packing material until you are sure that the instrument functions correctly. All defective items must be returned in the original packaging with the supplied accessories.

Preparation

The probe is shipped dry. Before using the electrode, remove the protective cap. Then follow the calibration procedure.

- Turn the tester on by pressing ON/OFF button.
- Remove the protective cap and immerse the tip of the probe in the sample to be tested.
- Stir gently and wait for a stability tag to disappear.
- The electrode automatically compensates for temperature variations.
- The reading on display is directly expressed in ppm.
- For best results, recalibrate periodically.
- After use rinse the probe with water.
- Always replace the protective cap after each use.

Operation



All rights are reserved. Reproduction in whole or in part is prohibited without the written consent of the copyright owner.

Specifications

Range	0 to 2000 ppm 0.0 to 50.0 °C (32.0 to 122.0 °F)
Resolution	1 ppm 0.1 °C (0.1 °F)
Accuracy (@25 °C/77 °F)	±2% F.S. ±0.5 °C (±1.0 °F)
TDS Conversion factor (CF)	0.5
Calibration Solutions	H170032 (1382 ppm)
Calibration	automatic, single point (1382 ppm)
Temperature Compensation	automatic, 0.0 to 50.0 °C (32.0 to 122.0 °F)
Battery type	CR2032 Li-Ion 3V (1 pc.)
Battery life	approximately 250 hours of continuous use
Environment	0 to 50 °C (32 to 122 °F); RH 100% max
Weight (without battery)	68 g (2.4 oz.)

Hanna Instruments reserves the right to modify the design, construction, or appearance of its products without advance notice.

Operational Guide

To turn the meter ON and check the battery status

Press the ON/OFF button to turn the meter on. At start-up, all the LCD segments are displayed for 1 second, then the percent indication of the remaining battery life is displayed for another second. The meter then enters the normal measuring mode.

Note: Keeping the ON/OFF button pressed while turning the meter on will display all LCD segments as long as the button is pressed.

To enter calibration mode

Press the CAL button. "CAL" message is displayed.

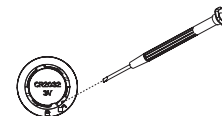
To enter setup mode

Remove the battery cover and press the Setup button located on the side of the battery.

Meter Setup

While in measurement mode, remove the battery cover. Press the Setup button located on the side of the battery in the battery compartment. The meter will enter in setup mode. Press the ON/OFF button to move through setup parameters. Change option by pressing CAL button. The default settings are: "Set t" measure unit - °C, "AOFF" - 8 min.

Setup
Button



To select the temperature unit (°C/°F)

To select the temperature unit when "SET t" is displayed press the CAL button to change between °C or °F.

To select the Auto-Off time

To select the AUTO OFF when "AOFF" is displayed press the CAL button to change between 8 min, 60 min or --- (disabled).

To return to measurement mode

Press the ON/OFF button.